

# 338XPT

**Spare parts**

**Ersatzteile**

**Pièces détachées**

**Reserve onderdelen**

**Repuestos**

**Reservdelar**

Replaces

Ersetzt

Remplace

Vervangt

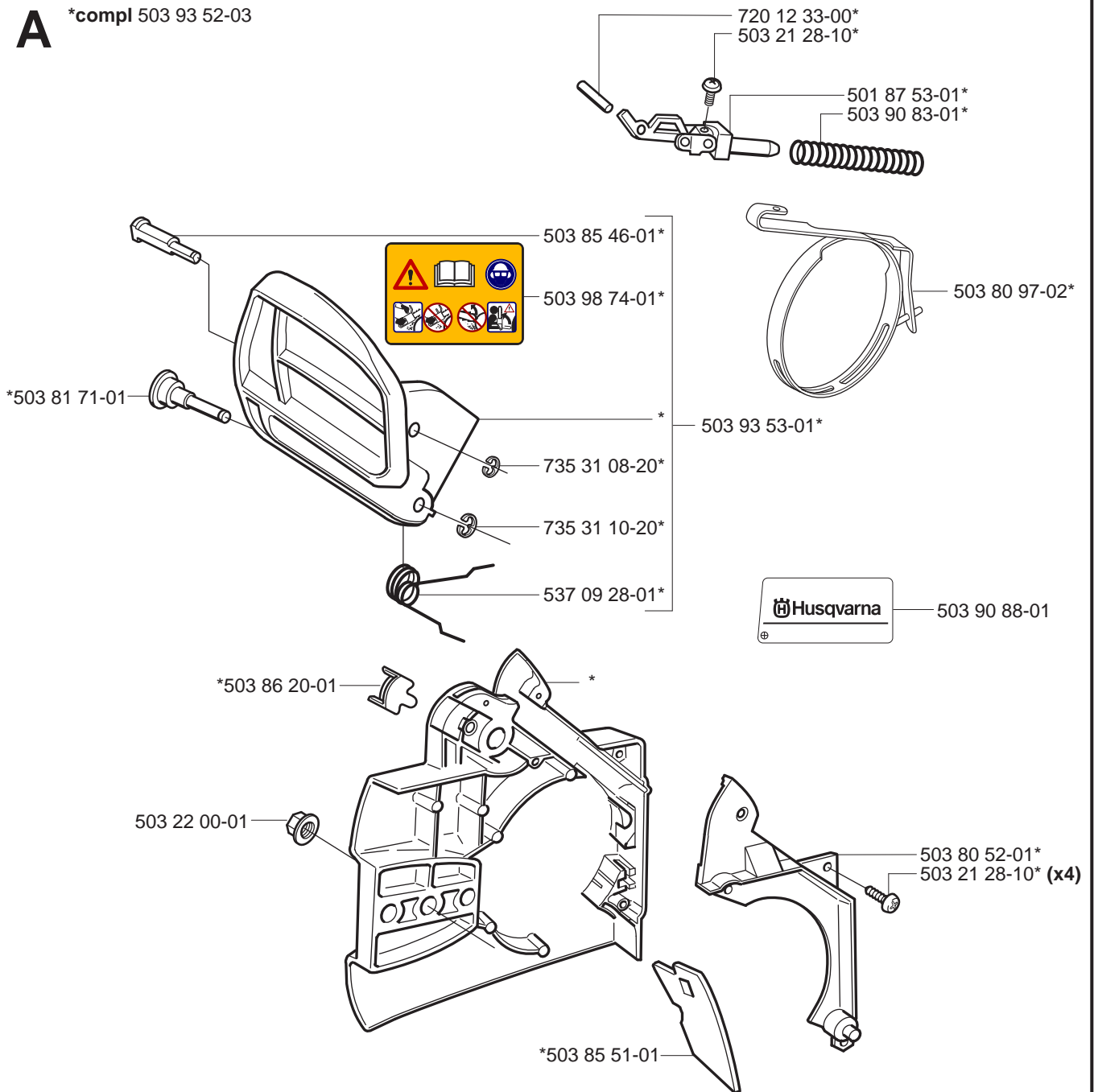
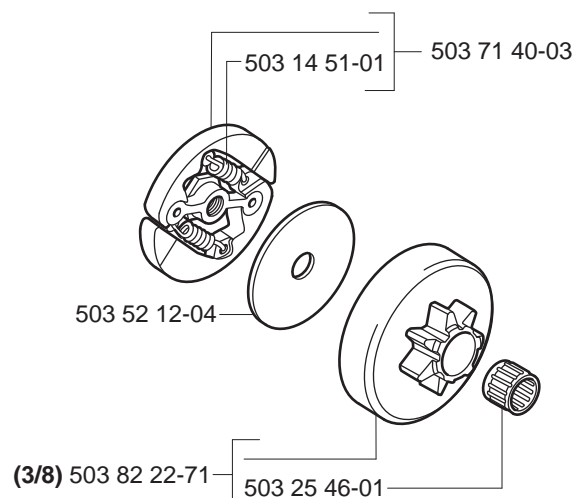
Reemplaza

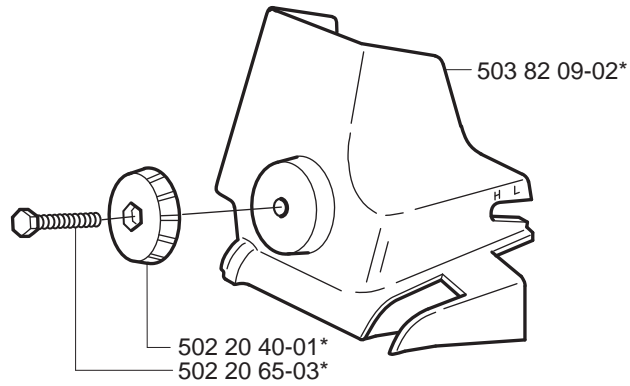
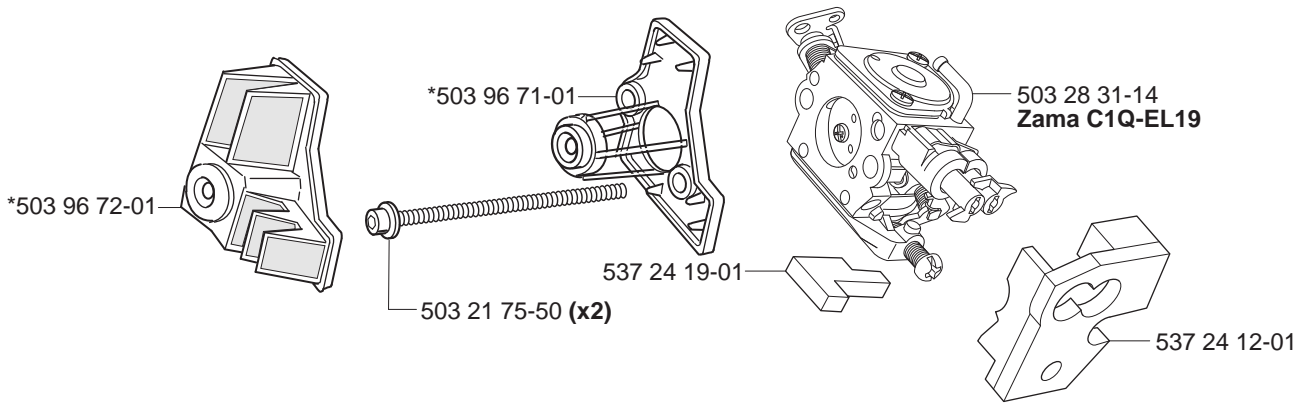
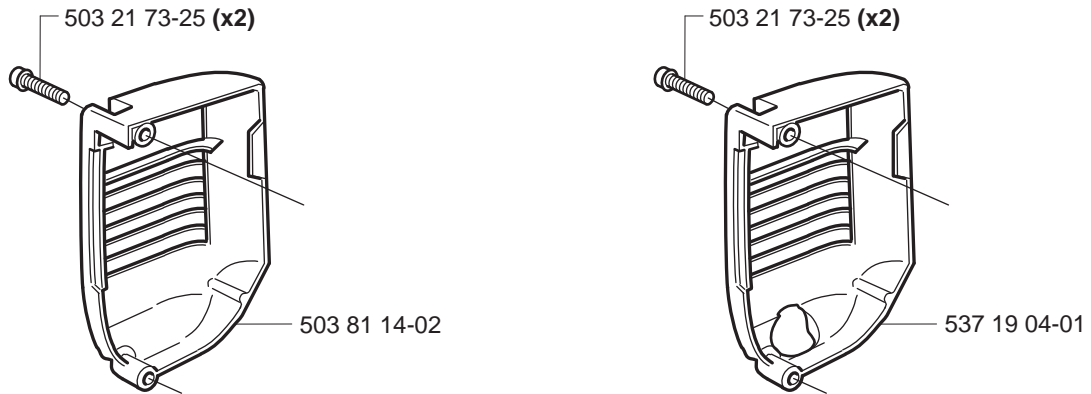
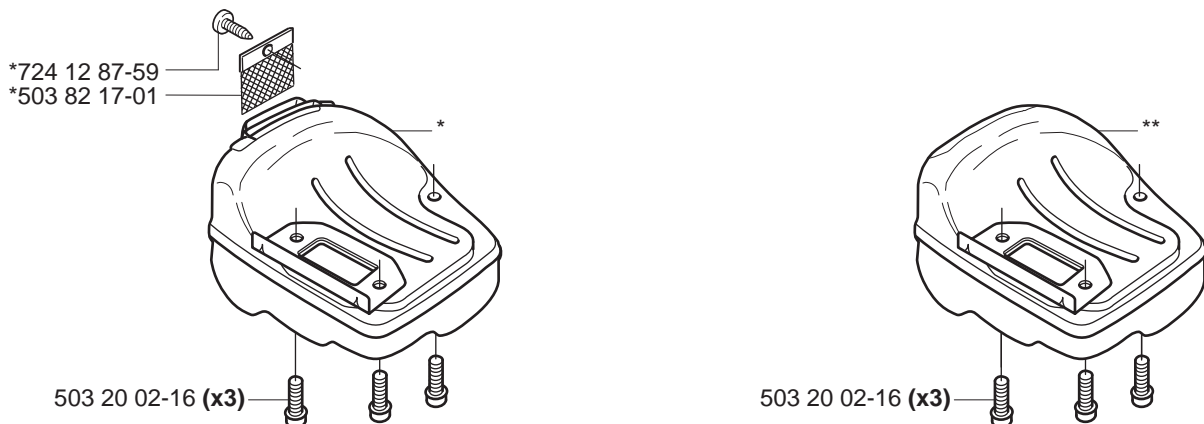
Ersätter

106 29 63-61

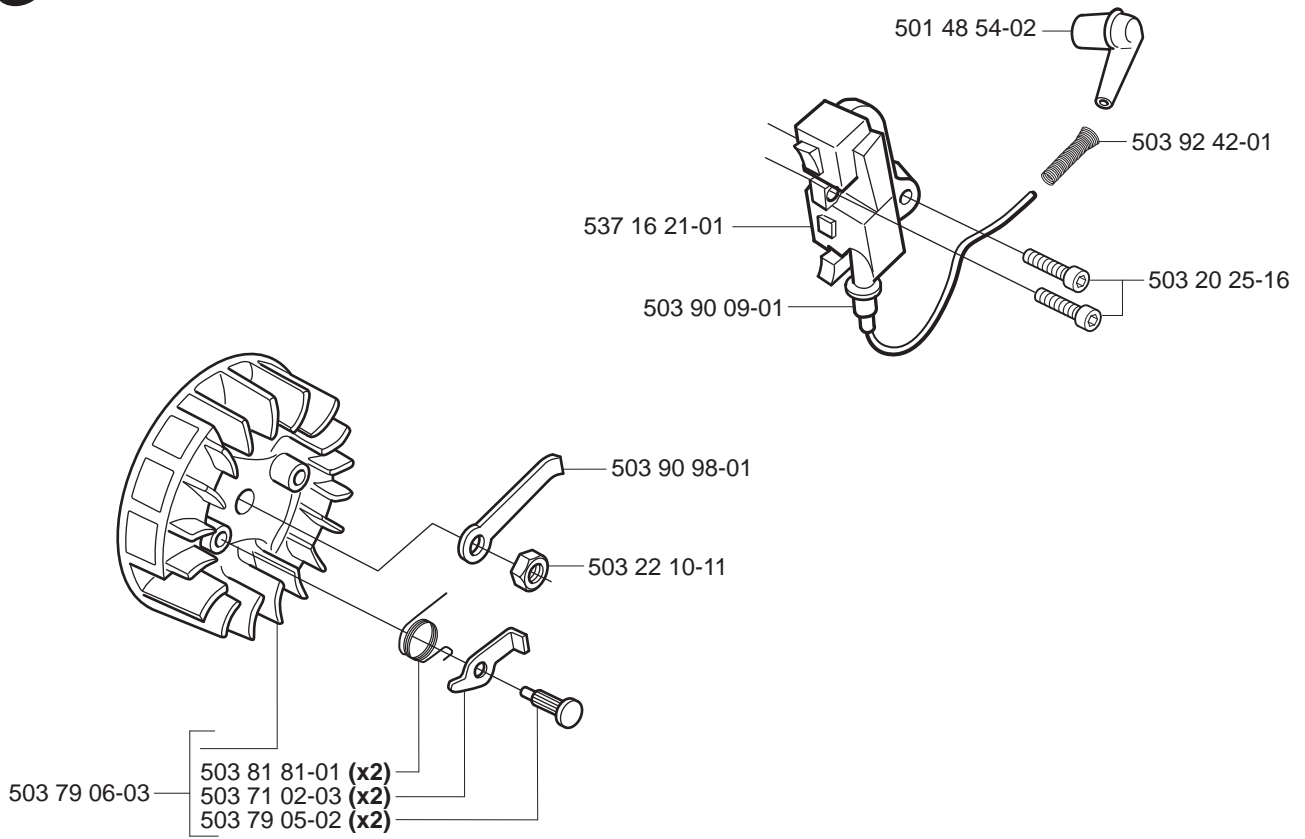
**A**

\*compl 503 93 52-03

**B**

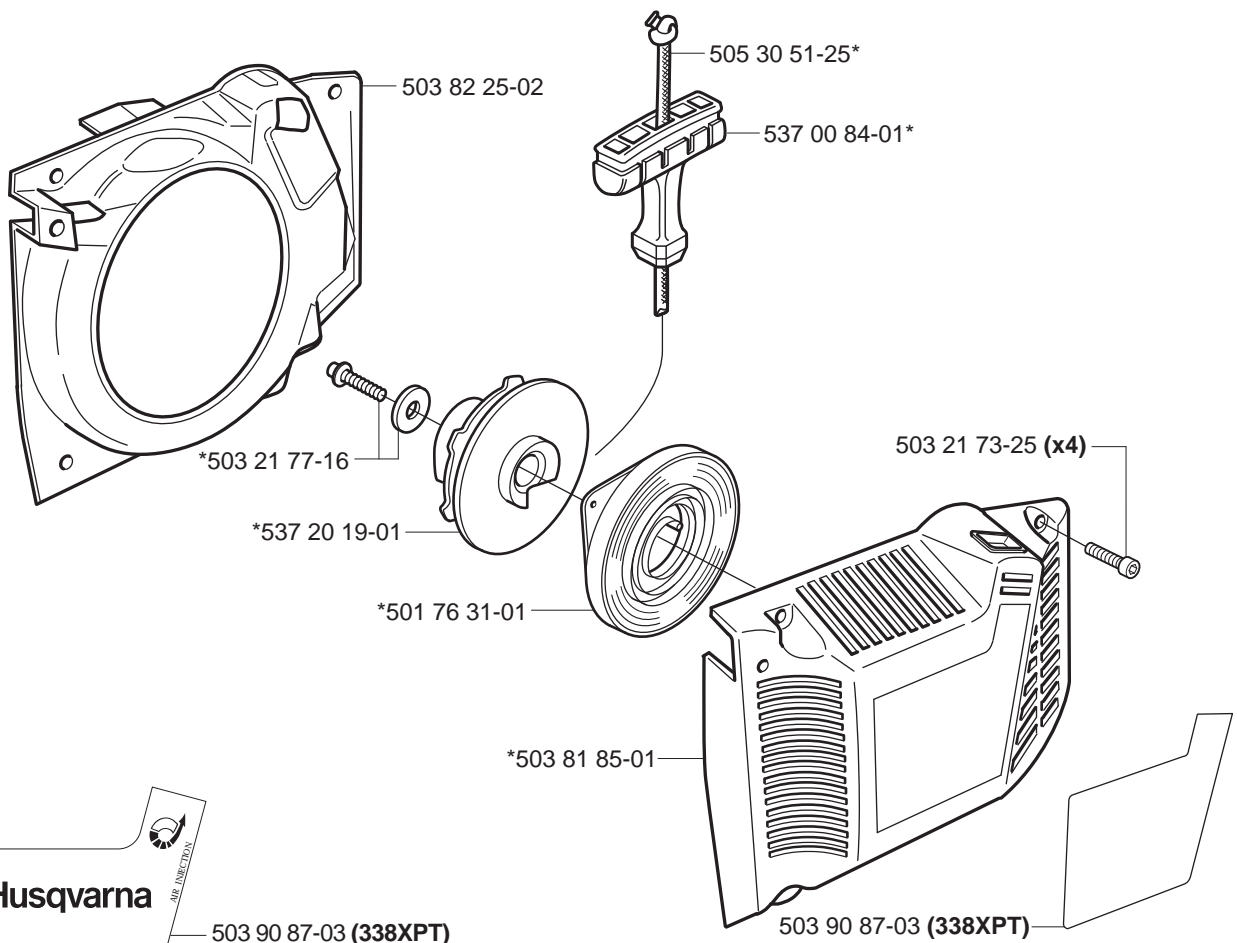
**C****\*compl** 503 79 26-02**D****\*compl** 537 02 15-01**E****F****\*compl** 503 93 03-03**\*\*compl** 537 19 50-01

# G



# H

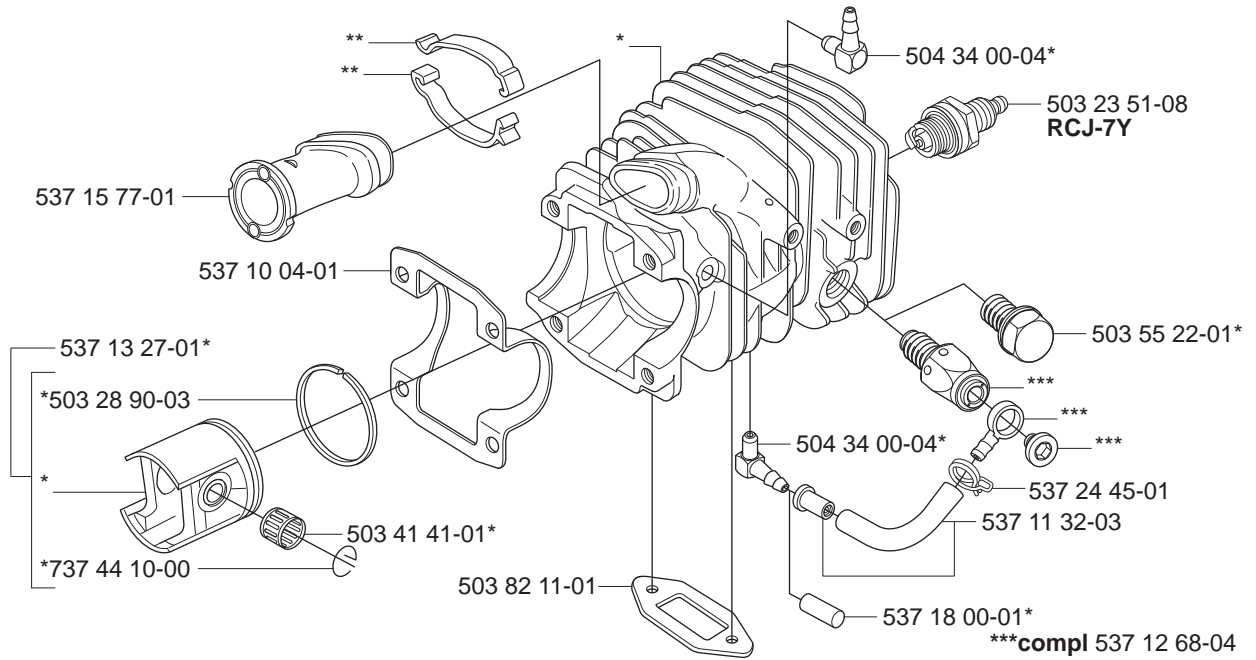
\*compl 503 79 25-01



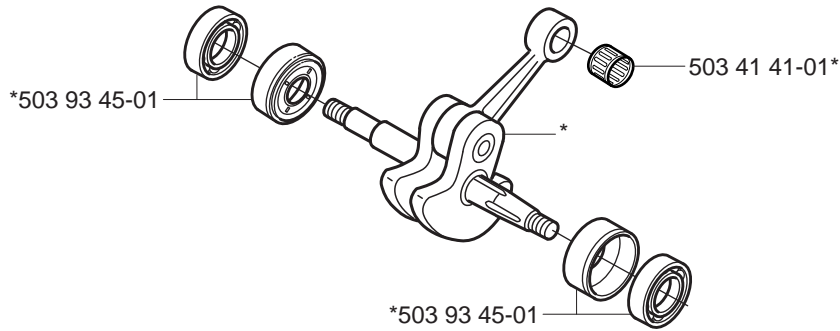
**J**

\*compl 537 13 20-01

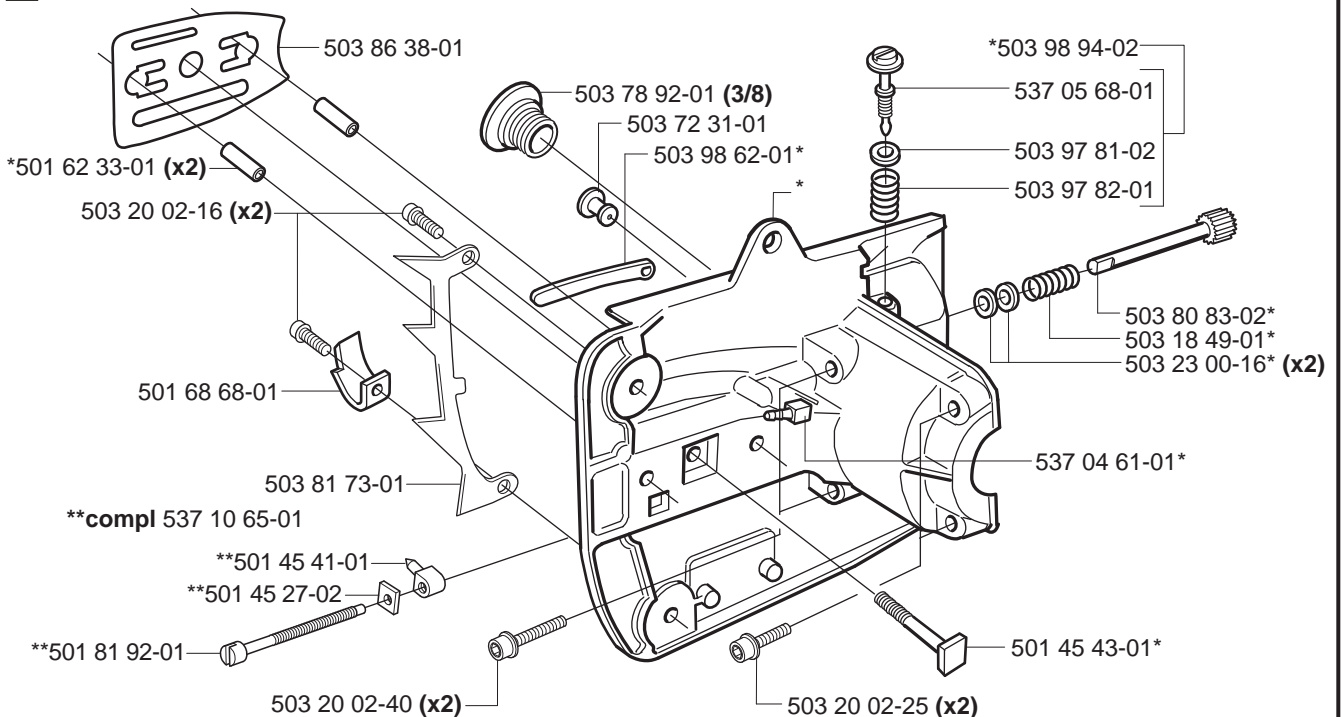
\*\*compl 537 16 73-01

**K**

\*compl 503 84 53-72

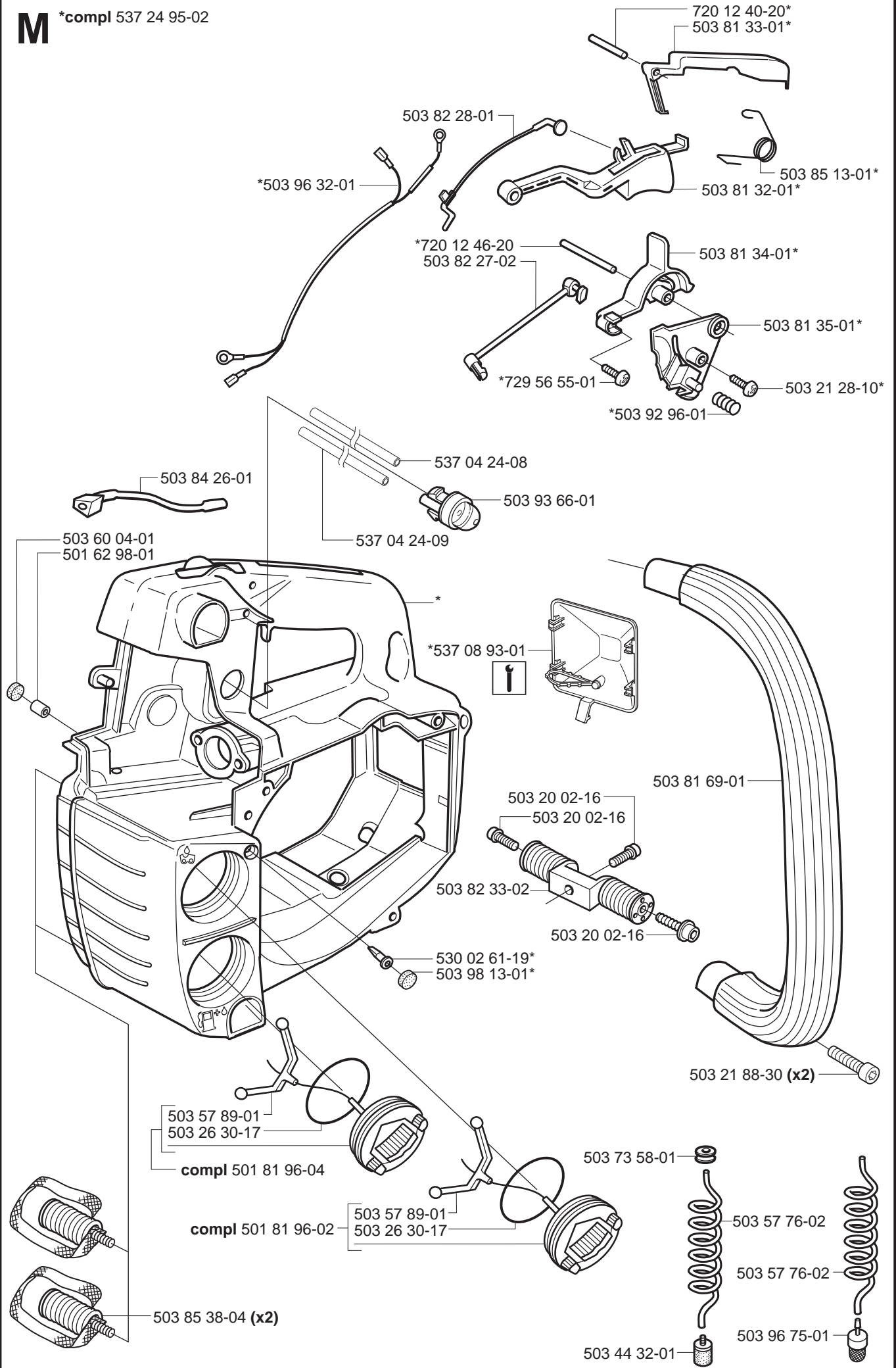
**L**

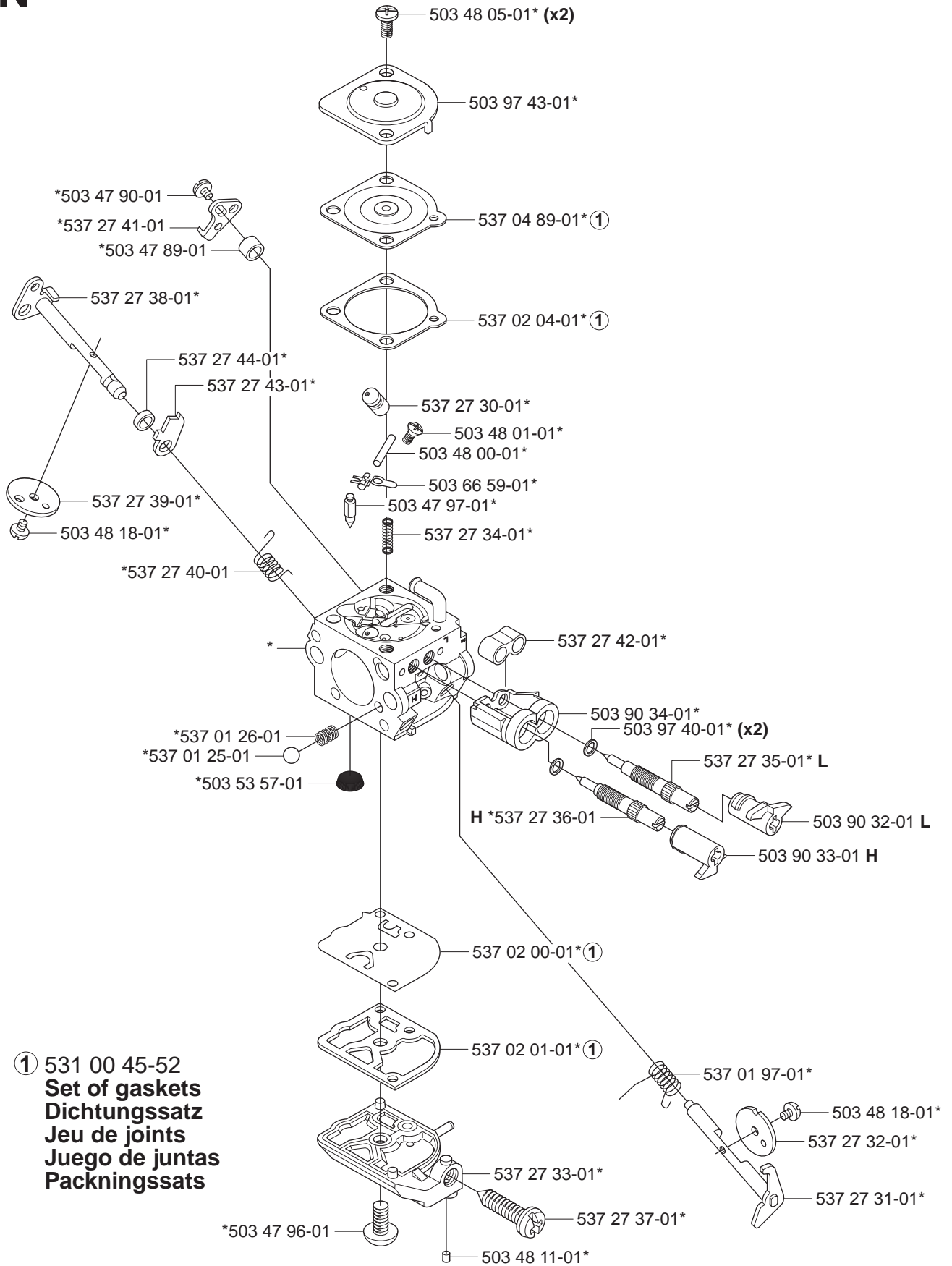
\*compl 503 79 22-04



M

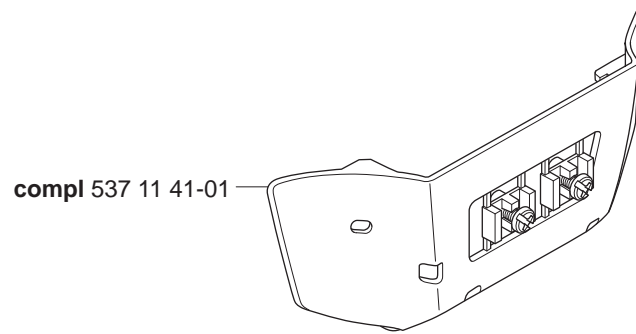
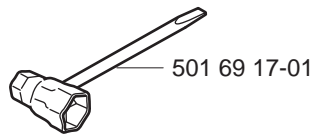
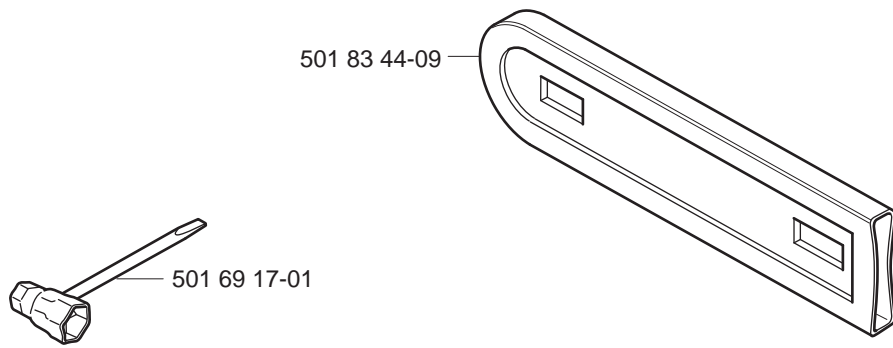
\*compl 537 24 95-02





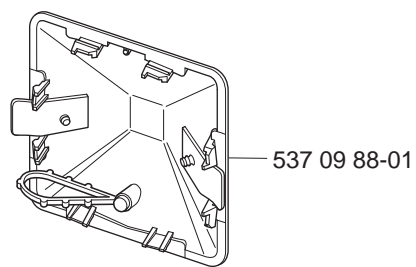
① 531 00 45-52  
**Set of gaskets**  
**Dichtungssatz**  
**Jeu de joints**  
**Juego de juntas**  
**Packningsatts**

**P** Accessories  
Zubehöre  
Accessoires  
Acessorios  
Tillbehör



**Q** 

**Up to:  
-001200207**





PART NUMBER	SQUARE NOTE	PART NUMBER	SQUARE NOTE	PART NUMBER	SQUARE NOTE	PART NUMBER	SQUARE NOTE
501 45 27-02	L	503 81 34-01	M	537 10 65-01	L		
501 45 41-01	L	503 81 35-01	M	537 11 32-01	J		
501 45 43-01	L	503 81 69-01	M	537 12 68-04	J		
501 48 54-02	G	503 81 71-01	A	537 13 19-02	J		
501 62 33-01	L	503 81 73-01	L	537 13 27-01	J		
501 62 98-01	M	503 81 81-01	G	537 15 77-01	J		
501 63 06-01	H	503 81 85-01	H	537 16 21-01	G		
501 68 68-01	L	503 82 09-02	C	537 16 73-01	J		
501 69 17-01	P	503 82 11-01	J	537 18 00-01	J		
501 76 31-01	H	503 82 17-01	F	537 19 04-01	E		
501 81 92-01	L	503 82 22-71	B	537 19 50-01	F		
501 81 96-02	M	503 82 25-02	H	537 20 19-01	H		
501 81 96-04	M	503 82 27-02	M	537 24 12-01	D		
501 83 44-09	P	503 82 28-01	M	537 24 19-01	D		
501 87 53-01	A	503 82 33-02	M	537 24 45-01	J		
502 20 40-01	C	503 84 26-01	M	537 24 95-02	M		
502 20 65-03	C	503 84 53-72	K	537 27 30-01	N		
503 14 51-01	B	503 85 13-01	M	537 27 31-01	N		
503 18 49-01	L	503 85 38-04	M	537 27 32-01	N		
503 20 02-16	F,M,L	503 85 46-01	A	537 27 33-01	N		
503 20 02-25	L	503 85 51-01	A	537 27 34-01	N		
503 20 02-40	L	503 86 20-01	A	537 27 35-01	N		
503 20 25-16	G	503 86 38-01	L	537 27 36-01	N		
503 21 28-10	A,M	503 90 09-01	G	537 27 37-01	N		
503 21 73-25	E,H	503 90 32-01	N	537 27 38-01	N		
503 21 75-50	D	503 90 33-01	N	537 27 39-01	N		
503 21 77-16	H	503 90 34-01	N	537 27 40-01	N		
503 21 88-30	M	503 90 83-01	A	537 27 41-01	N		
503 22 00-01	A	503 90 87-03	H	537 27 42-01	N		
503 22 10-11	G	503 90 88-01	A	537 27 43-01	N		
503 23 00-16	L	503 90 98-01	G	537 27 44-01	N		
503 23 51-08	J	503 92 42-01	G	720 12 33-00	A		
503 25 46-01	B	503 92 96-01	M	720 12 40-20	M		
503 26 30-17	M	503 93 03-03	F	720 12 46-20	M		
503 28 31-14	D,N	503 93 45-01	K	724 12 87-59	F		
503 28 90-03	J	503 93 52-03	A	729 56 55-01	M		
503 41 41-01	J,K	503 93 53-01	A	735 31 08-20	A		
503 44 32-01	M	503 93 66-01	M	735 31 10-20	A		
503 47 89-01	N	503 96 32-01	M	737 44 10-00	J		
503 47 90-01	N	503 96 71-01	D				
503 47 96-01	N	503 96 72-01	D				
503 47 97-01	N	503 96 75-01	M				
503 48 00-01	N	503 97 40-01	N				
503 48 01-01	N	503 97 43-01	N				
503 48 05-01	N	503 97 81-02	L				
503 48 11-01	N	503 97 82-01	L				
503 48 18-01	N	503 98 13-01	M				
503 52 12-04	B	503 98 62-01	L				
503 53 57-01	N	503 98 74-01	A				
503 55 22-01	J	503 98 94-02	L				
503 57 76-02	M	504 34 00-04	J				
503 57 89-01	M	505 30 51-25	H				
503 60 04-01	M	530 02 61-19	M				
503 66 59-01	N	531 00 45-52	N				
503 71 02-03	G	537 00 84-01	H				
503 71 40-03	B	537 01 25-01	N				
503 72 31-01	L	537 01 26-01	N				
503 73 58-01	M	537 01 97-01	N				
503 78 92-01	L	537 02 00-01	N				
503 79 05-02	G	537 02 01-01	N				
503 79 06-03	G	537 02 04-01	N				
503 79 22-04	L	537 02 15-01	D				
503 79 25-01	H	537 04 24-08	M				
503 79 26-02	C	537 04 24-09	M				
503 80 52-01	A	537 04 61-01	L				
503 80 83-02	L	537 04 89-01	N				
503 80 97-02	A	537 05 68-01	L				
503 81 14-02	E	537 08 93-01	M				
503 81 32-01	M	537 09 28-01	A				
503 81 33-01	M	537 10 04-01	J				

Set of gaskets, Dichtungssats,  
Jeu de joints, Juego de juntas,  
Packningsatts

N = New part, Neues teil,  
Nouvelle piece, Nueva pieza  
Ny detalj